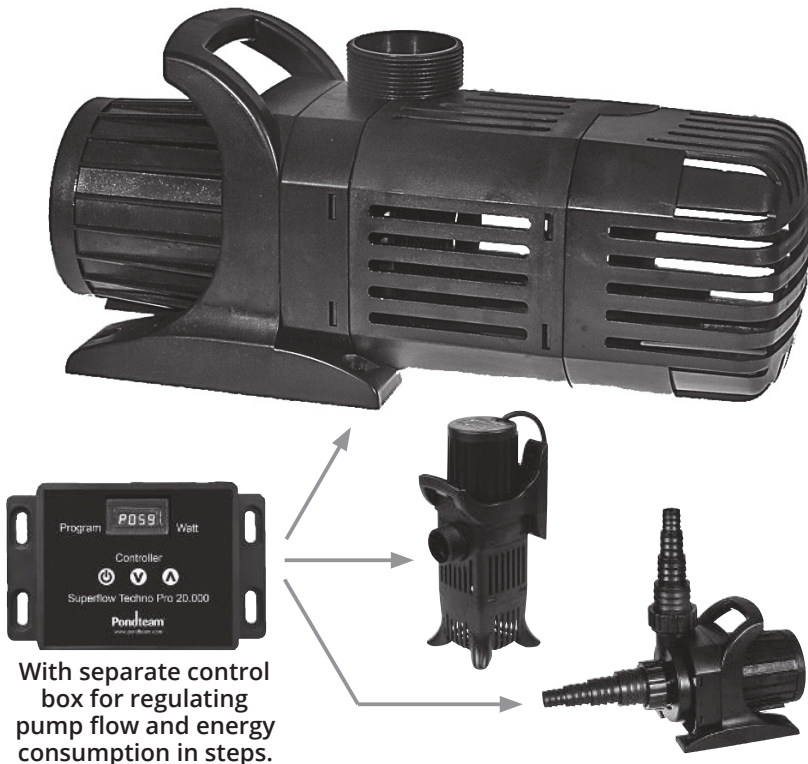


Superflow Techno Pro S

10000S - 15000S - 22000S - 30000S

Instructions for use



English

Svensk

Dansk

IMPORTANT: Please read this instruction manual carefully before using this product. Keep the manual safe for future reference.



Instructions for use of the Superflow Techno Pro S pumps

Read these instructions carefully before using the pump. As we constantly improve and further develop our products, accessories etc. they can differ from the pictures on the packaging.

Description

The Superflow Techno Pro pumps are designed for demanding filtration, waterfall and circulation in garden pools and similar water systems. However, they can also be used for fountains (fountain nozzles are not included but can be purchased separately).

The open vortex rotor can handle particles up to approx. 8 mm without becoming blocked.

The design of Superflow Techno Pro with external control allows step-wise control of both water flow and the pump's energy consumption in addition to a long service life. In the display of the controller, the programme steps for performance are displayed when the control buttons are pressed up and down. Shortly after setting the programme, the pump's power consumption is displayed in watts.

In the display, the letter F stands for the Flow %, while the letter P stands for Power - the energy consumption in Watt.

On all models, the control box is interchangeable and available as a spare part. The pump is also equipped with electronic dry flow protection, which automatically stops the pump when dry running or when the rotor is blocked. Superflow Techno Pro can be used both submerged and dry mounted (below surface level). Furthermore, they are also suitable for operation in salt water, as no external metal parts are present in the pump.

The Superflow Techno Pro pump is one of the most energy-friendly and quiet pumps on the market with the latest SINE-wave technology.

We recommend that you check our website for the most recently updated manuals.
www.pondteam.com



Contents

1. Pump with 10 m rubber cable (IP68), Filter cover (2-piece) & Handle
2. Feet for vertical mounting
3. Universal connectors & gaskets
4. Control box
5. User manual

Technical data

Model	10000S	15000S	22000S	30000S
Max head height	6.2 m	6 m.	8.5 m	9.7 m
Adjustable flow l/t	6400-9100	7950-15000	15000-21200	19100-29400
Adj. energy consumption	35-85 W	45-130 W	86-200 W	123-335 W
Inlet/outlet	1½"	2"	2"	2" / 2½"
Hosetails	19/25/32/40	25/32/40/50	25/32/40/50	25/32/40/50*
Guarantee	2 years	2 years	2 years	2 years
Article no.	30340	30341	30342	30343

The tolerance in power consumption can vary 15% for the pump programs.

* Model 30000S is also supplied with 50/63 mm. pipe fittings



Safety regulations

The pump may only be used in garden ponds and similar water systems with no persons in the water. Do not use in swimmingpools and other liquids than water. Electrical installations must comply with applicable regulations. If in doubt, consult an authorized electrician.

Before using the pump, make sure that the cable and plug have no visible damage. The voltage on the nameplate must match your local power supply. The pump must be connected to your power supply via a fault current protection device with a breaking current of max. 30 mA. The electrical outlet must be protected from water/moisture and must be located at least 2 meters from the nearest water edge. Also make sure moisture/water cannot run along the cord into the socket by making a "Drip Loop".

Before starting any work on the pump, switch off the power switch and unplug the power cord. For safety reasons, the pump must only be repaired by the supplier. All unauthorized intervention in the pump will void any warranty (this does not apply to regular maintenance as specified in this manual). The pump must not be used or handled by children or persons who do not understand how to use it.

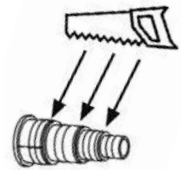
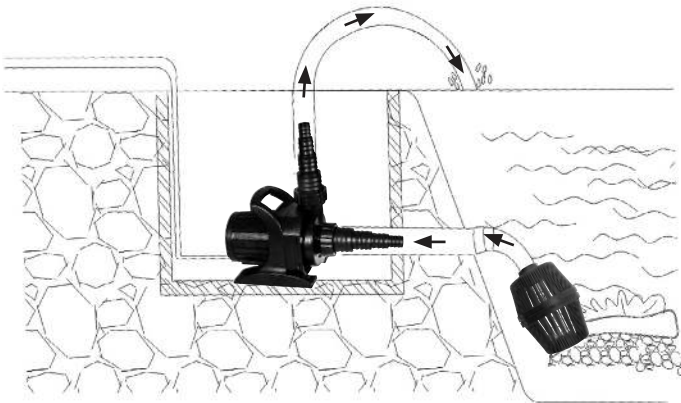
Never lift or carry the pump in the cable.

Do not shorten or try to extend the cable. This will void any warranty.

Installation

The Superflow Techno Pro pump is designed for use in waterfalls, streams and filters. The pump's vortex rotor can handle particles up to 8 mm, but on muddy or sandy bottom the pump must be placed on a tile or similar solid support.

The pump must be fully immersed in water so that it is completely filled with water without air pockets before it is started up. The pump must NOT run dry and be fully located at least 20 cm below the water surface, otherwise it can suck in air. Avoid blockage of prefilters and never let pump run dry, as this will prevent motor cooling and cause damage and potential burn out motor. The water temperature must not exceed 35°C. and water depth max. 1,5 m.



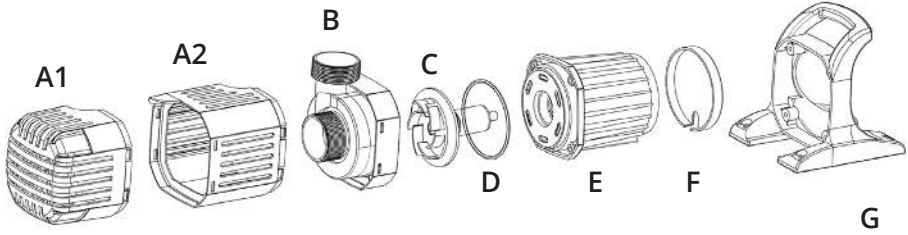
Use hose with largest possible diameter and cut hoesetail to the diameter of hose with a saw.

Dry mounting

The Superflow Techno Pro pump can also be mounted dry outside the basin. In this case, the pump is placed in a pump-well next to the basin. It must be placed below the water level of the basin as it is not self-priming and therefore the water can run into the pump itself.

1. Remove the front filter cover.
2. Fit a tight hose nozzle / hose to the pump inlet and outlet. Make sure the hoses are tight. The suction hose's diameter should be as large as possible and it should be max. 50 cm. long.
3. Fill the suction hose and the pump with water before starting the pump.
4. To prevent the pump from clogging, install a pre-filter on the suction hose. Avoid blockage of the pre-filters and never let the pump run dry.

Even equipped with an electronic overheating protection it might cause severe damage to the pump.



Maintenance

Follow the safety precautions listed, turn off the pump and unplug the power cord before starting to operate the pump.

1. Remove the filter cover (**A1+2**) by pressing it from the sides.
2. Push the handle (**G**) back and remove it.
3. Unscrew the four screws in the rotor cover (**B**) and remove it.
4. Pull the rotor (**C**) out of the pump housing and take care of the large O-ring (**D**), located in the pump housing flange.
5. Clean the rotor well (**hole i E**) and the parts in lukewarm water with a sponge or soft brush.
6. Once the parts are cleaned, mount the O-ring (**D**) in the flange, taking care to get it positioned correctly.
7. Put the rotor (**C**) back into the rotor well.
8. Check that the rotor can be rotated effortlessly and that the O-ring is properly placed.
9. Fit the rotor cover (**B**) and tighten the 4 screws again. Check with your finger that the rotor (**C**) can be turned.
10. Mount the handle (**G**)
11. Fit the filter cover (**A1+2**).

Check the pump regularly and clean it if necessary. This does not require any technical knowledge if you follow the instructions above. The Superflow Techno Pro pump can handle particles up to 8 mm and this means that maintenance is kept to a minimum.

OBS: If the pump is used in calcareous (hard) water, the rotor and rotor-well should be cleaned regularly with a descaling agent so that the pump does not block due to limescale. Damage caused by limescale is NOT covered by warranty.



Avoid overheating

If the pump becomes too hot, the built-in safety relay is triggered and the pump is switched off so that no damage to the motor occurs. The pump must then be cooled down to normal temperature before restarting.

Before starting the pump again, check the following:

1. Check that the suction hose has a suitable diameter and that it is not clogged.
2. Check that the pre-filter is clean and not clogged.
3. Check that the rotor is not blocked/clogged by dirt.

Only when the above is checked can the pump be restarted.



Seasonal care

The pump must be protected from frost. Before winter, the pump must be removed from the pond and cleaned thoroughly.

We recommend using a good quality airpump over winter. This will ensure oxygen for the fish and cause less watermovement during hibernation.

Any damage caused by frost is NOT covered by warranty.

Guarantee

This pump is covered by a 2-year warranty against production and material defects, effective from the date of purchase. Nota with date applies as proof of warranty and a copy of it must be sent along with the pump in case of complaint. During warranty period, we repair or replace the defective parts (our choice) with original spare parts free of charge. The warranty does not apply to normal wear and tear or damage that has occurred as a result of breach, misuse and/or neglect of the specified operating instructions. The rotor is a wear and tear part and is not covered by warranty.

Liability is limited to replacement of the faulty product only. No other costs will be reimbursed. This guarantee is not transferable and does not affect your statutory rights.

OBS: The connection cable of the pump or control box must under no circumstances be shortened or extended. The pump is calibrated with the supplied cable and will not operate if changes are made to the cable. Any warranty will lapse upon such changes.



Techno Pro S-Controller 2020

The controller is designed with the latest SINE-wave technology and have a display to show program, power use and error codes.

The pump cable should only be mounted or dismantled with the powercable unplugged from the socket.

Controller should be placed at least 30 cm. above ground level.

Error Display

Error code	Cause	Solution
ER01	Control box works with fault current.	Check cable and connections for short circuits.
ER02	Control box overheated.	The control box must be able to ventilate and must not be wrapped or enclosed. Place it in the shade.
ER03	The pump is idling for too long.	Check if the pump gets water - it must not run dry.
ER04	The rotor is blocked	Check if the rotor is blocked and remove any objects.
ER05	Too high or low voltage (volts).	Check the power supply.

Tips: If the buttons are not responding - You might have locked the display! Press and hold the (Left) Start/Stop button for 3 seconds until the display flashes 2 times - this is the procedure that opens/lock the controller.

The control box for Superflow techno Pro S

The box can control the flow of a Superflow Techno Pro pump from stages 30 - 100. At power on - the display first shows the previous set value, which is stored on memory in case of power failure. In about 10 seconds pump will reach the flow. You can turn the pump on / off at the left button - "OFF" it is showed in display. When You turn on - Flow-value "F" number (30 - 100%) is shown and after a short while, the display switches to show the energy consumption in Watt. "P" for Power.

The energy consumption in the max setting can vary with the pump load, but is usually lower than that indicated on packaging.

The control box should be positioned in a ventilated place and not exposed direct to heavy rain or sunlight. Do not wrap or encapsulate as overheating will damage it.



Control box operation.

To control the pump during operation, do the following:

1. Press your finger on the up/down arrows on the display. The display lights up. (Display will enter low power mode after 25 sec. without use)
2. Wait a few seconds and then calmly press the desired setting.
3. When the pump responds, the finger can be held on the up/down arrow until the desired setting appears in the display.
4. The pump can also be turned on / off in the display.

Display Lock function:

Press and hold the (Left) Start/Stop button for 3 seconds until the display flashes 2 times - this is the procedure that lock/opens the controller preventing unintentional mistakes.

When operating the control box, be careful not to press the up/down arrows too quickly. Be sure to press the box setting markings gently and carefully so that the check box has time to register your settings.

If the control box should stop responding, you can reset it by turning off the power, waiting 1-2 minutes, and then turning it back on.

Parts for Superflow Techno Pro S

	Art.no.	Model	Art.no.	
Pump motor 	31380 31381 31382 31383	10000S 15000S 22000S 30000S	31385 31386 31387 31388	Rotor 
Rotor cover 	31339 31340 31340 31341	10000S 15000S 22000S 30000S	30934 30935 30935 30936	Handle 
Prefilter 	30932 30933 30933 30931	10000S 15000S 22000S 30000S	30937 30938 30938 30939	Feet 
O-ring rotor 	30922 31364 31364 31369	10000S 15000S 22000S 30000S		Screws for rotorcover 
Fitting set 10/22000S 	30952 30953 30953	10000S 15000S 22000S 30000S	30954	Fitting set 30000S 
Control box 2020 	30960 30961 30962 30963	10000S 15000S 22000S 30000S		

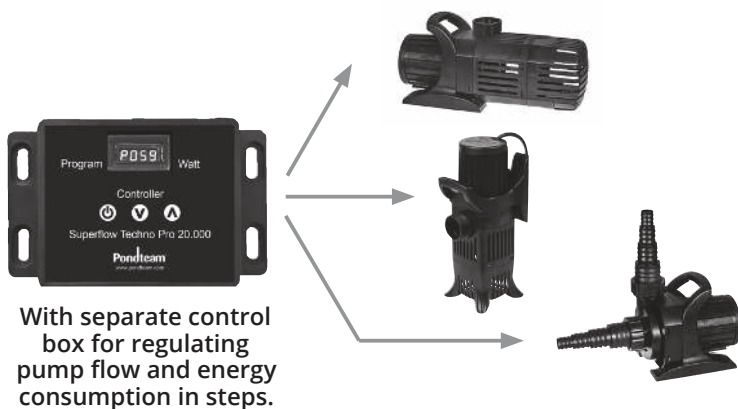
Pondteam®

www.pondteam.com

Superflow Techno Pro S

10000S - 15000S - 22000S - 30000S

Instructions for use



With separate control box for regulating pump flow and energy consumption in steps.



Waste management

A defect product must Not be thrown in the normal municipal waste, but must be delivered at one of the home municipality's recycling stations.

Pondteam® is a registered trademarks. Other trademarks used in this manual, on our website or in our catalogues are the property of their respective owners. We reserve the right to change specifications of products, App's and recommendations without notice.

Some products are protected internationally by registered design and patents – further patents pending.

Pondteam AB

Kantxegatan 25 L - 21376 Malmö - Sweden • www.pondteam.com

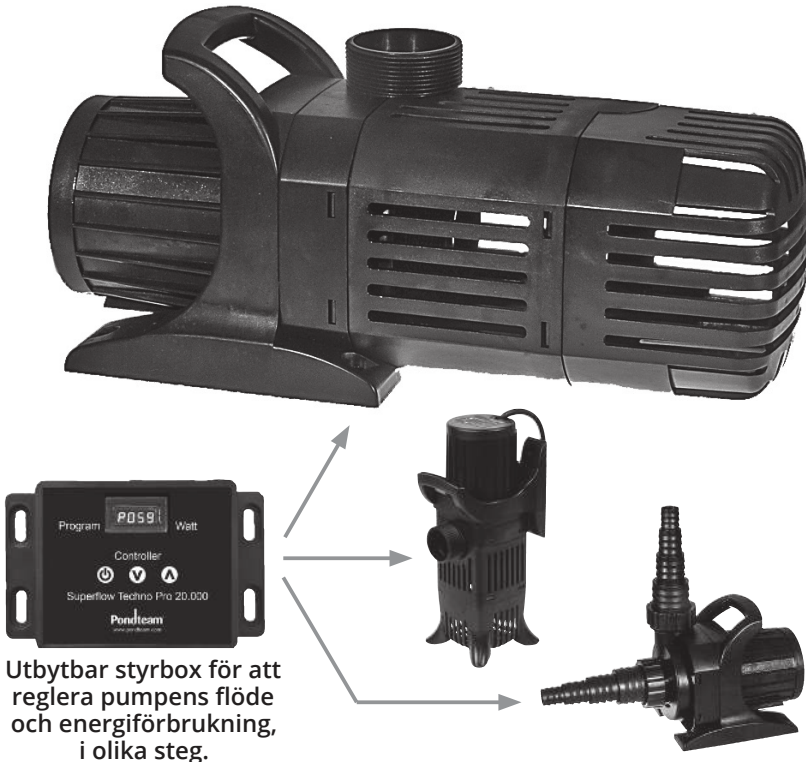
Mail info@pondteam.com

Reservations for printing errors - Copyright Pondteam AB - 10/3/2025

Superflow Techno Pro S

10000S - 15000S - 22000S - 30000S

Bruksanvisning





Bruksanvisning Superflow Techno Pro S

Läs den här bruksanvisningen noggrant innan du använder pumpen. Då vi kontinuerligt förbättrar och utvecklar våra produkter, kan tillbehör m.m. skilja sig från bilderna på förpackningarna.

Beskrivning

Superflow Techno pumparna är avsedd för trädgårdsdammar, och andra vattenkonster. Den lämpar sig utmärkt till filter, vattenfall, bäckar, cirkulation och syresättning. De kan också användas till fontäner (fontänmunstycken är inte inkluderade men kan köpas separat.)

Pumpen har en extern styrbox som gör att både funktion och energiförbrukning enkelt kan justeras stegvis. Val av program görs genom att trycka på styrboxens pilförsedda upp-respektive ner-knapp. Kort efter att ett program valts, visas pumpens energiförbrukning i displayen. Flödet kan ändras i 100 steg samtidigt visar displayen kontinuerligt energiförbrukningen i watt. I displayen står bokstaven **F** för flödesprogram och bokstaven **P** visar strömförbrukningen i watt. Pumpen är försedd med ett elektroniskt torrkörningsskydd, som stänger av pumpen automatiskt vid torrgång eller om rotern blockeras. Superflow Techno Pro pumparna lämpar sig även för torrmontering i en pumpgrop. Dessutom kan pumparna även användas i saltvatten. Detta då inga metalldelar kommer i kontakt med vatten. På alla modellerna är styrboxen utbytbar och kan fås som reservdel. Superflow Techno pumparna är synkrona enfas växelströms pumpar med kondensator.

Den öppna vorteximpellern klarar partiklar upp till ca 8 mm utan att blockeras. Den nyutvecklade motorn är en av de mest energisnåla pumparna som finns på marknaden.

Vi rekommenderar att Ni tittar på vår hemsida för att se de senaste uppdaterade bruksanvisningarna.



Innehåll

1. Pumphus med 10 m gummikabel (IP68), tvådelad filterkåpa och handtag.
2. Fötter för vertikal montering
3. Gängad universal slangadapter och sockel
4. Extern styrbox
5. Bruksanvisning.

Teknisk data

Modell	10000S	15000S	22000S	30000S
Max lyfthöjd	6,2 m	6,0 m	8,5 m	9,7 m
Regulerbart flöde l/t	6400-9100	7950-15000	15000-21200	19100-29400
Reg. energiförbrukning	35-85 W	45-130 W	86-200 W	123-335 W
Inlopp / Utlopp	1½"	2"	2"	2" / 2½"
Slangadapter m.m	19/25/32/40	25/32/40/50	25/32/40/50	25/32/40/50*
Garanti	2 år	2 år	2 år	2 år
Artikel nr.	30340	30341	30342	30343

Energiförbrukningen kan slå på upp till 15 % för pumparnas program.

* Modell 30000S levereras även med 50/63 mm. kopplingar för limning.



Säkerhetsföreskrifter

Pumpen får bara användas till trädgårdsdammar, och liknande. De elektriska installationerna måste överensstämma med gällande föreskrifter. Är du det minsta tveksam skall en auktoriserad elektriker rådfrågas. Innan du använder pumpen förvissa dig om att kabel och kontakt inte har några synliga skador. Spänningen i det lokala elnätet skall överensstämma med vad som står på typskylten. Pumpen skall alltid anslutas över en jordfelsbrytare på högst 30 mA. Elanslutningen skall skyddas mot fukt och placeras minst 2 meter från dammens kant eller annan vattenansamling. Kontakten får inte utsättas för fukt. Kontrollera även så att fukt/vatten inte kan rinna längsmed kabeln in till styrboxen.

Innan du utför något arbete i dammen skall pumpen kopplas från elnätet genom att du drar ur kontakten. Pumpen får inte användas av barn eller personer som inte förstår handhavandet

Av säkerhetsskäl får pumpen bara repareras av leverantören. Alla obehöriga ingrepp i pumpen gör att garantin bortfaller. Pumpen skall aldrig bäras eller hängas i elkabeln. Elkabeln får inte kortas eller modifieras.

Användning

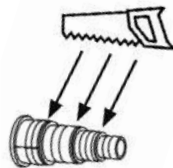
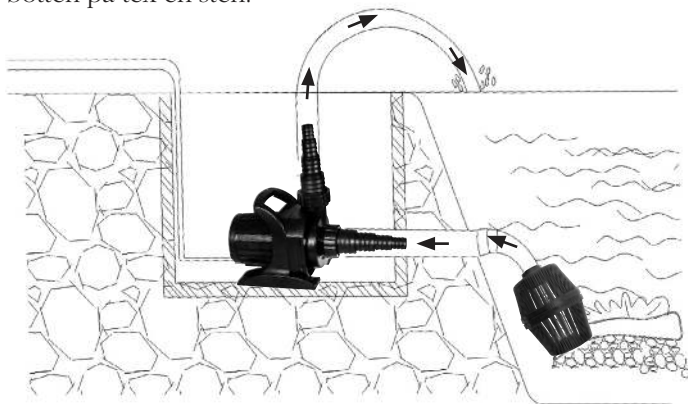
Pumpen skall nedsänkas helt under vattenytan så pumphuset fylls med vatten utan luftbubblor, och placeras minst 20 cm under vattenytan då den annars kan suga luft.

Vattentemperaturen får inte överstiga 35°C och placeringsdjupet är max 1,5 m. På vintern skall pumpen skyddas mot frost.

Pumpen stängs och sätts igång genom elkontakten.

Undvik att filterkåpor/förfilter sätts igen, då detta gör att pumpmotorn inte får ordentlig kylning. Vilket kan leda till att pumpmotorn går sönder.

Pumpen klarar partiklar upp till ca 8mm, men bör placeras ovanför en smutsig botten på tex en sten.

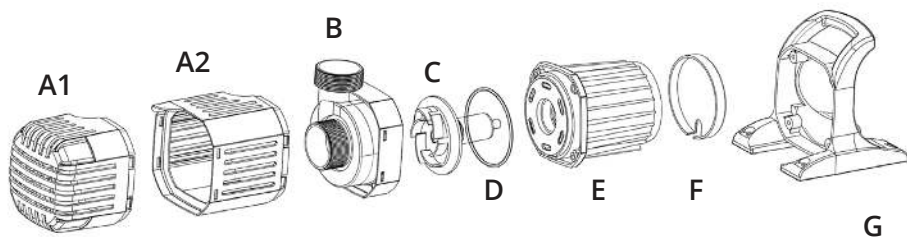


Använd slangadapter med så stor diameter som möjligt. Såga av de mindre slangadapterar som ni ej använder.

Torrmontering

Superflow Techno Pro kan också torrmonteras utanför dammen. Placera pumpen i en pumpgrop. Pumpen skall placeras under vattenytans nivå. Detta då pumpen inte är självsugande utan vattnet måste rinna in i den.

1. Ta bort filterkåpan.
2. Montera en tät slangadapter och slang till pumpens insug och utlopp. Förvissa dig om att det inte läcker. Sugslangen in i pumpen skall vara så grov, max 50 mm., och kort som möjligt (max 50 cm lång) för att förebygga överhettning.
3. Fyll sugslangen och pumpen med vatten innan pumpen kopplas till elnätet.
4. För att förhindra smuts in i pumpen, bör du montera ett förfilter på sugslangen. Undvik att förfiltret sätts igen, då detta gör att pumpmotorn inte får ordentlig kylning. Vilket kan leda till att pumpmotorn går sönder.



Underhåll

Följ säkerhetsinstruktionerna och koppla ur pumpen från elnätet innan underhåll görs på pumpen.

1. Ta bort filterkåpan (A1+2) genom att trycka på sidan av filterkåpan.
2. Dra handtaget (G) bakåt och ta bort det.
3. Skruva ur de fyra skruvarna och ta bort rotorlocket (B).
4. Ta ur rotorn (C) från motorhuset. Var noga med o-ring (D) som ligger i flänsen.
5. Gör rent rotorn och övriga delarna (även hålet i E) i ljummet vatten med en mjuk svamp eller borste.
6. När delarna är rengjorda, monteras o-ring (D) i flänsen, var noga med att få den ordentligt på plats.
7. Montera tillbaka rotorn (C) i pumpmotorn (E).
8. Kontrollera att rotorn kan snurra utan motstånd och att o-ring sitter rätt.
9. Montera rotorlocket (B) genom att skruva i de 4:a skruvarna. Kontrollera med fingret så rotorn (C) kan snurras runt.
10. Sätt tillbaka handtaget (G).
11. Sätt tillbaka filterkåpan (A1+2).

Kontrollera med jämna mellanrum pumpen och rengör den. Detta kräver inga tekniska kunskaper utan det räcker med att följa bruksanvisningen. Superflow Techno pumpen klarar partiklar upp till 8 mm vilket gör underhållet minimalt.

OBS! Om pumpen används i kalkrikt vatten (hårt), behöver rotor och rotorbrunn rengöras regelbundet. Detta kan göras med hjälp av ett mildt avkalkningsmedel. I annat fall kan rotorn fastna i rotorbrunnen och pumpen skadas permanent. Denna typ av skador som uppstår pga. bristande underhåll, täcks INTE av garantin.



Förhindra överhettning

Pumpen är försedd med en värmesäkring och stängs automatiskt av vid torggång eller överhettning. Om pumpen blir för varm löser det inbyggda termoskyddet ut och stänger av pumpen. Detta så att inga skador ska uppstå på pumpen.

Innan du startar pumpen skall du kontrollera följande:

1. Kontrollera att sugslangen har tillräcklig dimension och inte är tilltäppt.
2. Är förfiltret tilltäppt?
3. Kontrollera så att det inte sitter smuts, som stoppar rotorn.

När ovanstående är kontrollerat kan pumpen startas igen.



Förvaring på vintern

Skydda pumpen mot att frysa in. Innan vintern tas pumpen in och rengörs, enligt ovanstående anvisningar. Lägg sedan pumpen i en hink med vatten och förvara den frostfritt. Vi rekommenderar att ni använder en luftpump av god kvalitet över vintern. Detta förser dammen och fiskarna med syre, utan att skapa för mycket rörelse i vattnet under fiskarnas "dvala".

Skador orsakade av frost täcks INTE av garantin.

Garanti

Den här pumpen täcks av en 2 års garanti mot produktions- och materialfel.

Garantin gäller inte mot handhavandfel, kalk, frost eller felaktigt bruk.

Garantin bortfaller om elkabeln kortas eller ingrepp görs i pumpens elektriska delar. Inköpskvittot gäller som garantisedel. Vid garantireklamation skall inköpskvittot eller kopia medfölja. Under garantiperioden repareras eller byts pumpen ut (vårt val). Rotorn är en förslitningsdetalj och omfattas ej av garantin.

Garantin gäller endast pumpen och styrboxen, men inga följdskador. Garantin gäller endast pumpen och styrboxen, men inga följdskador.

Garantin gäller utöver konsumentköplagen och är ett frivilligt åtagande från leverantören.

OBS! Kablar till pump och styrbox, får under inga omständigheter kapas, kortas eller förlängas. Pumpen är kalibrerad hos tillverkaren med anslutna kablar och kommer inte fungera om ändringar görs. Inga garantier gäller om åverkan på något sätt görs på kablarna.



Techno Pro S Styrbox 2020

Styrboxen är designad med den senaste sinusvågs-teknologin. Displayen visar program, energiförbrukning och felkoder.

Pumpkabeln in till styrboxen får endast monteras på/av när elkontakten är utdragen ur eluttaget. Styrboxen ska placeras minst 30 cm ovan marknivå.

Kontrollbox 2020

Error Display på kontrollboxen

Felkod på displayen	Orsak	Lösning
ER01	Problem med spänningen till kontrollboxen.	Kontrollera kabeln och strömförsörjningen.
ER02	Kontrollboxen är överhettad.	Kontrollboxen får inte tillräcklig ventilation. Boxen får inte kapslas in eller placeras i solljus.
ER03	Pumpen kör utan motstånd (torrt) en längre tid.	Kontrollera att pumpen får tillräckligt med vattenkyllning.
ER04	Pumpen är blockerad eller kabelfel.	Kontrollera att pumpen inte är blockerad och/eller kabeln är ansluten korrekt.
ER05	För hög eller låg spänning.	Kontrollera strömförsörjningen.

Tips: Om knapparna på styrboxen inte svarar - Ni kan ha råkat låsa displayen! Tryck och håll inne Start/Stopp knappen (den längst till vänster), i 3 sekunder, tills displayen blinkar 2 gånger. På detta sätt läses displayen upp eller läses om så önskas.

Kontrollboxen till Superflow Techno Pro S

Boxen kan styra flödet på en Superflow Techno Pro pump i olika intervaller. Knappen längst till vänster är på/av-knapp. När pumpen startas visas det program som den hade senast den var igång, detta är lagrat i minnet, som en säkerhet vid ev. strömavbrott. Displayen visar först programnumret som går från ca 30-100 som max. Det tar ca.10 sek från uppstart till pumpen når inställt flöde. Kort efter visas energiförbrukningen i Watt. Energiförbrukningen i max-läget varierar med pumpens belastning, men ligger normalt lägre än vad som står på kartongen.

Kontrollboxen placeras så den inte utsätts för direkt regn eller sol. Får ej täckas över eller placeras trångt, då överhettning skadar den.

Reglering

När boxen ansluts lyser displayen upp (efter 25 sek utan användning, går den i viloläge.).

Pumpen startar långsamt för att inom ca 10 sekunder uppnå önskat värde. Vid strömavbrott kommer boxen ihåg värdet den var inställd på.

För att reglera pumpen under drift gör du följande.

1. Tryck med ett finger på displayens upp/nerpil. Displayen lyser då upp.
2. Vänta någon sekund och tryck lugnt på önskad åtgärd.
3. När pumpen reagerar kan fingret hållas på upp/ner så ändras displayen fortlöpande.
4. Pumpen kan också sättas på/stängas av via displayen.

Display lås funktion:

Tryck och håll inne Start/Stopp knappen (den längst till vänster), i 3 sekunder, tills displayen blinkar 2 gånger. På detta sätt låses displayen eller låses upp, för att förhindra oavsiktliga knapptryckningar.

Tänk på att inte trycka hastigt utan lugnt och mjukt så kontrollboxen hinner registrera åtgärden.

Vid behov återställs boxen genom att strömsladden dras ur kontakten.



OBS: Om styrboxen slutar svara på knapptryckningar, dra ut elkontakten och vänta 1-2 minuter innan den ansluts, på så sätt startas styrboxen om.

Delar til Superflow Techno Pro S

	Art.nr.	Modell	Art.nr.	
Pumpmotor 	31380 31381 31382 31383	10000S 15000S 22000S 30000S	31385 31386 31387 31388	Rotor 
Rotorlock 	31339 31340 31340 31341	10000S 15000S 22000S 30000S	30934 30935 30935 30936	Handtag 
Filterkåpor 	30932 30933 30933 30931	10000S 15000S 22000S 30000S	30937 30938 30938 30939	Fötter 
O-ring rotor 	30922 31364 31364 31369	10000S 15000S 22000S 30000S		Skrusar til rotorlock 
Universal slang- adapter 10/22000S 	30952 30953 30953	10000S 15000S 22000S 30000S	30954	Slangkopplinger 30000S 
Styrbox 2020 	30960 30961 30962 30963	10000S 15000S 22000S 30000S		

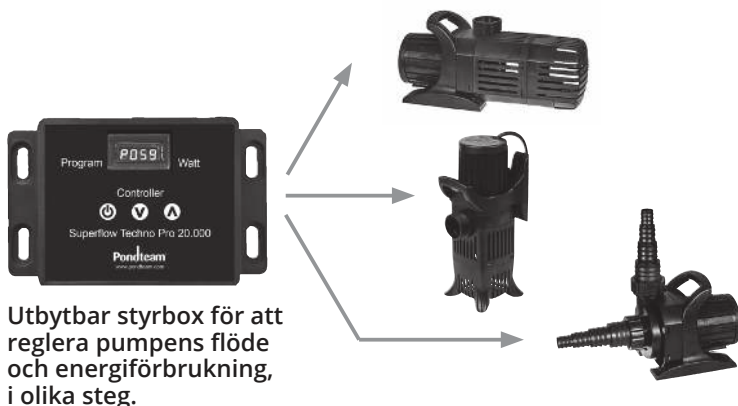
Pondteam®

www.pondteam.com

Superflow Techno Pro S

10000S - 15000S - 22000S - 30000S

Bruksanvisning



Utbytbar styrbox för att reglera pumpens flöde och energiförbrukning, i olika steg.



Avfallshantering

En defekt pump får inte slängas bland ordinarie hushållssopor utan skall lämnas in på en av kommunen bestämd plats för elmateriel tex en miljöstation. Pondteam är med i elkretsen för återvinning av elavfall och REPA för återvinning av emballage.

Pondteam® är ett registrerat varumärke. Andra varumärken som används i manualen eller på hemsidan tillhör respektive företag. Vi förbehåller oss rätten att ändra produkter, specifikationer, appar och rekommendationer.

Pondteam AB

Kantxegatan 25 L - 21376 Malmö - Sverige • www.pondteam.com

Tlf. 0045 44669909 • Fax 0045 44669919 • Mail info@pondteam.com

Reservation för tryckfel - Copyright Pondteam AB - 10/3/2025

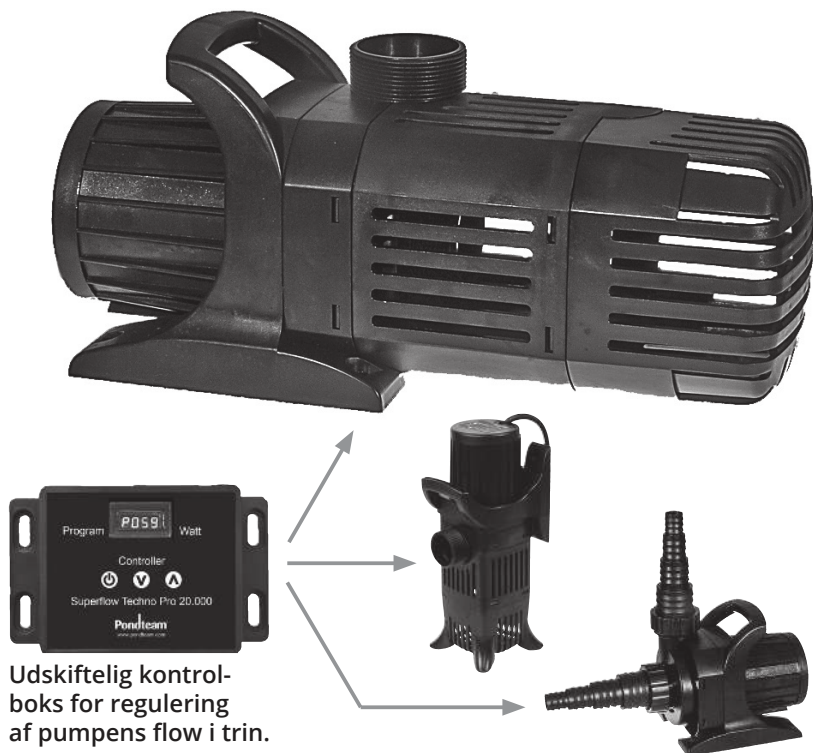
Pondteam®

www.pondteam.com

Superflow Techno Pro S

10000S - 15000S - 22000S - 30000S

Brugsanvisning



Udskiftelig kontrolboks for regulering af pumpens flow i trin.

Dansk

VIGTIGT: Læs venligst denne brugsanvisning grundigt før anvendelse af produktet. Gem brugsanvisningen til fremtidigt brug.

Manual version - 10/3/2025



Brugsanvisning for Superflow Techno Pro S pumperne

Læs omhyggeligt denne brugsanvisning igennem, inden du tager pumpen i brug. Da vi hele tiden forbedrer og videreudvikler vore produkter kan tilbehør m.m. afvige fra billeder på emballagen.

Beskrivelse

Superflow Techno Pro pumperne er beregnet til krævende filtrering, vandfald og cirkulation i havebassiner og lignende vandanlæg. De kan dog også anvendes til fontæner (springvandsdyser er ikke inkluderet, men kan købes separat).

Den åbne vortex-rotor klarer partikler op til ca. 8 mm uden at blive blokeret. Designet af Superflow Techno Pro med ekstern styring giver ud over lang levetid også mulighed for trinvis styring af både vandflow og pumpens energiforbrug. I styreenhedens display vises programtrinnene for ydelse når der trykkes op og ned på reguleringsknapperne.

Kort efter programindstilling vises pumpens strømforbrug i watt.

I displayet står bogstavet F for det pågældende trin, mens bogstavet P står for energiforbruget i Watt.

På alle modellerne er kontrolboksen udskiftelig og kan fås som reservedel.

Pumpen er endvidere forsynet med elektronisk tørløbssikring, som automatisk stopper pumpen ved tørkørsel eller blokering af rotoren. Superflow Techno Pro kan både anvendes neddykket og tørmonteret (under overfladeniveau). Endvidere er pumperne også velegnet til drift in saltvand, da der ikke findes ydre metaldele i pumpen.

Den nyudviklede motor gør den til en af de mest energivenlige og støjsvage pumper på markedet.

Vi anbefaler, at De tjekker vor hjemmeside for de senest opdaterede manualer.
www.pondteam.com



Indhold

1. Pumpedel med 10 m. gummikabel (IP68), Filterkammer - 2-delt & Håndtag
2. Fødder til lodret placering
3. Universal slangestudser og pakninger
4. Kontrolboks
5. Brugsanvisning

Tekniske data

Model	10000S	15000S	22000S	30000S
Max løftehøjde	6,2 m	6,0 m	8,5 m	9,7 m
Regulerbart flow l/t	6400-9100	7950-15000	15000-21200	19100-29400
Reg.bart energiforbrug	35-85 W	45-130 W	86-200 W	123-335 W
Indløb/udløb	1½"	2"	2"	2" / 2½"
Slangestudse	19/25/32/40	25/32/40/50	25/32/40/50	25/32/40/50*
Garanti	2 år	2 år	2 år	2 år
Artikel Nr.	30340	30341	30342	30343

Tolerancen i strømforbruget kan variere 15% for de forskellige pumpeprogrammer.

* Model 30000 leveres også med 50/63 mm. rørfitting.



Sikkerhedsforskrifter

Pumpen må kun anvendes i havebassiner o. lign. og ikke i andre væsker end vand. Pumpen må ikke anvendes i svømmebassiner eller øvrige med personer i vandet. De elektriske installationer skal være i overensstemmelse med gældende forskrifter. Er du det mindste i tvivl, skal du rådføre dig med en autoriseret elektriker. Inden du tager pumpen i brug, skal du forvisse dig om, at kabel og stik ingen synlige skader har. Spændingen på typeskiltet skal stemme overens med din lokale strømforsyning. Pumpen skal tilsluttes dit el-net via et HFI eller HPFI relæ med en brudstyrke på max 30 mA.

El-udtaget skal være beskyttet mod vand/fugt og skal være placeret mindst 2 meter fra nærmeste vandkant. Sørg også for at fugt/vand ikke kan løbe langs ledningen ind i stikket. Inden du påbegynder nogen form for arbejde med pumpen skal der slukkes for kontakten og stikket skal trækkes ud af stikkontakten. Af sikkerhedsgrunde må pumpen udelukkende repareres af leverandøren. Alle uautoriserede indgreb i pumpen medfører bortfald af enhver garanti (dette gælder ikke almindelig vedligeholdelse som anført i denne brugsanvisning). Pumpen må ikke anvendes af børn eller personer der ikke forstår anvendelsen af den.

Pumpen må aldrig løftes eller bæres i kablet.

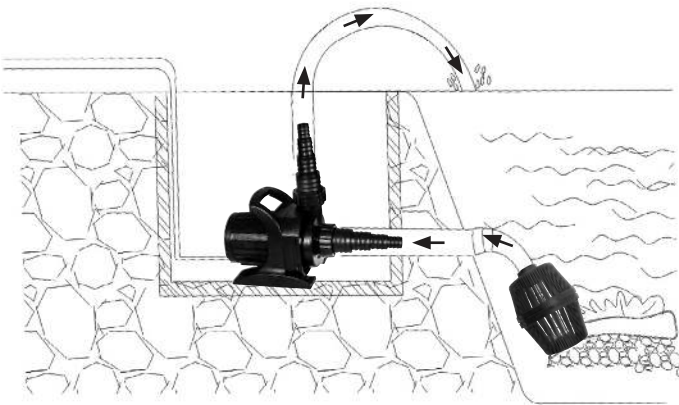
Kablet må ikke afkortes. Dette medfører bortfald af enhver garanti.

Anvendelse

Superflow Techno Pro pumpen er designet for anvendelse til vandfald, vandløb og filter. Pumpens vortex-rotor kan klare partikler op til 8 mm, men på mudret bund skal pumpen placeres på en flise eller lignende fast underlag. Pumpen skal være helt neddykket i vand så den fyldes helt med vand uden luftlommer inden den startes op. Pumpen må IKKE køre tør og skal være placeret mindst 20 cm under vandoverfladen, da den ellers kan suge luft ind. Modellerne 10000S og 22000S har ingen ydre metaldele og kan derfor anvendes i saltvand.

Vandtemperaturen må ikke overstige 35°C.

Til pumpen forefindes et stort udvalg af dyser og fittings.

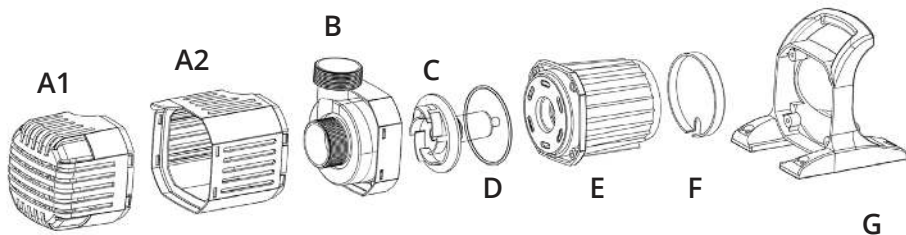


Brug en slange med størst mulig diameter og afskær slangestudsens til slangens diameter med en sav.

Tørmontering

Superflow Techno Pro pumpen kan også tørmonteres udenfor bassinet. Pumpen placeres i så tilfælde i en pumpebrønd ved siden af bassinet. Den skal placeres under bassinets vandniveau, da den ikke er selvsugende og vandet derfor selv kan løbe ned i pumpen.

1. Fjern den forreste filterkappe.
2. Monter en tæt slangestuds / slange til pumpens indsug og udløb.
Forvis dig om at slangerne er tætte. Sugslangen ind i pumpen skal være så grov og kort som muligt for at forebygge overophedning (max 50 cm).
3. Fyld sugeslange og pumpen op med vand inden pumpen startes op.
4. For at forhindre snavs i pumpen bør du montere et forfilter på sugeslangen. Pumpen er forsynet med en elektronisk overophednings beskyttelse og slukker automatisk ved tørtgang. Pumpen må IKKE køre tør, men er forsynet med en elektronisk overophednings beskyttelse og slukker automatisk ved tørtgang.



Vedligeholdelse

Følg nøje de anførte sikkerhedsforanstaltninger, sluk for pumpen og træk stikket ud af stikkontakten før du begynder at arbejde med pumpen.

1. Afmonter filterkappen (A1+2) ved at trykke på den fra siderne.
2. Skub håndtaget tilbage (G) og afmonter det.
3. Skru de fire skruer i rotorlåget (B) ud og afmonter dette.
4. Træk rotoren (C) ud af pumpehuset og pas på den store O-ring, der ligger i pumpehusets flange.
5. Rengør rotorbrønd (hul i E) og delene i lunkent vand med en svamp eller en blød børste.
6. Når delene er rengjort monteres O-ringen (D) i flangen, pas på at få den placeret korrekt.
7. Rotoren (C) sættes tilbage i rotorbrønden (E).
8. Kontroller at rotoren kan drejes ubesværet og at O-ringen sidder korrekt.
9. Monter rotorlåget (B) og skru de 4 skruer fast igen. Tjek med fingeren at rotoren (C) kan drejes.
10. Monter håndtaget (G)
11. Monter filterkappen (A1+2).

Kontroller med jævne mellemrum pumpen og rens den evt. Dette kræver ingen tekniske kundskaber, hvis bare man følger ovenstående vejledning. Superflow Techno Pro pumpen kan klare partikler op til 8 mm og dette betyder, at vedligeholdelsen begrænses til et minimum.

OBS: Hvis pumpen anvendes i kalkholdigt (hårdt) vand, skal rotoren og rotorbrønden regelmæssigt renses med et afkalkningsmiddel, så pumpen ikke kalker til. Skade forårsaget af tilkalkning er IKKE dækket af garanti.



Undgå overophedning

Hvis pumpen bliver for varm, udløses det indbyggede sikkerhedsrelæ og pumpen slukkes, så der ikke opstår skader i pumpen. Pumpen skal derefter afkøles ned til normal temperatur inden den startes op igen.

Inden du starter pumpen op igen skal du tjekke følgende:

1. Kontroller at sugeslangen har en passende diameter og at den ikke er tilstoppet.
2. Tjek at forfiltret er rent og ikke er tilstoppet.
3. Tjek at rotoren ikke er blokeret/stoppet af snavs.

Først når ovenstående er tjekket kan må pumpen startes op igen.



Vinteropbevaring

Pumpen skal beskyttes mod frost. Inden vinter tages pumpen op af bassinet og rengøres omhyggeligt. omhyggeligt og placeres frostfrit.

Vi anbefaler at der i stedet monteres en luftpumpe af en god kvalitet i dammen. Den vil sikre ilt til fiskene og skaber begrænset vandbevægelse mens fiskene er i dvale.

Enhver skade på pumpen som følge af frost er IKKE dækket af garanti.

Garanti

Denne pumpe er dækket af en 2 års garanti mod produktions- og materialefejl, gældende fra købsdatoen. Nota med dato gælder som garantibevis og kopi af denne skal medsendes pumpen i tilfælde af reklamation. I garantiperioden reparerer eller udskifter vi de defekte dele (vort valg) med originale reservedele uden beregning. Garantien gælder ikke normalt slid eller skader, der er opstået som følge af misligholdelse, forkert brug og/eller negligering af anførte betjeningsvejledning. Rotoren er en sliddel. Garantien gælder udelukkende produktet og er begrænset til udskiftning af det defekte produkt. Ingen andre omkostninger vil blive refunderet. Denne garanti kan ikke overføres og påvirker ikke købeloven.

OBS: Pumpens eller kontrolboksens tilslutningskabel må under ingen omstændigheder forkortes eller forlænges. Pumpen er kalibreret med det medfølgende kabel og vil ikke fungere, hvis der foretages ændringer på kablet. Enhver garanti bortfalder ved sådanne ændringer.



Techno Pro S Kontrolboks 2020

Kontrolboksen er designet med den nyeste SINE-wave teknologi og har et display, der viser program, strømforbrug og fejlkoder.

Pumpekablet må kun monteres eller afmonteres med strømkablet frakoblet fra stikkontakten.

Kontrolboksen skal placeres mindst 30 cm. over jorden.

Error Display

Fejlkode i display	Årsag	Løsning
ER01	Kontrolboks arbejder med fejlstrøm.	Check kabel og forbindelser for kortslutning.
ER02	Kontrolboks overophedet.	Kontrolboksen skal kunne ventilere og må ikke indpakkes eller indelukkes. Placeres i skygge.
ER03	Pumpen kører i tomgang for længe.	Check om pumpen får vand - den må ikke køre tør.
ER04	Pumpen er blokeret eller kabelfejl.	Check om pumpen er blokeret eller kablet er for forbundet korrekt.
ER05	For høj eller lav spænding (volt).	Check el-forsyningen.

Tip: Hvis knapperne ikke svarer - har du muligvis låst skærmen! Tryk og hold på (Venstre) Start / Stop-knap i 3 sekunder, indtil displayet blinker 2 gange - dette er proceduren, der åbner / låser kontrolboksens skærm.

Kontrolboksen til Superflow techno Pro S

Boksen kan styre flowet på en Superflow Techno Pro pumpe i forskellige intervaller.

Når der er tændes - viser displayet først den senest indstillede værdi, der er gemt i hukommelse i tilfælde af strømafbrydelse.

Efter cirka 10 sekunder når pumpen den valgte indstilling. Du kan slå pumpen til / fra ved den venstre knap - "OFF", vises på displayet når afbrudt.

Når du tænder - vises flowværdien "F" -nummer (30 - 100) og efter kort tid skifter displayet for at vise energiforbruget i Watt. "P" Energiforbruget i den maksimale indstilling kan variere med pumpebelastningen, men er normalt lavere end det, der er angivet på emballagen.

Betjeningsboksen skal placeres på et ventileret sted og ikke udsættes direkte for kraftigt regn eller sollys. Pak ikke kontrolboksen ind, da overophedning vil beskadige den.

Betjening af kontrolboksen

For at styre pumpen under drift gør du følgende:

1. Tryk med en finger på displayets op/ned pile. Displayet lyser op.
2. Vent nogle sekunder og tryk så roligt på den ønskede indstilling.
3. Når pumpen reagerer, kan fingeren holdes på op/ned pilen til den ønskede indstilling vises i displayet.
4. Pumpen kan også tændes / slukkes vis displayet.

"Lås skærm" funktion:

Tryk og hold på (Venstre) Start / Stop-knap i 3 sekunder, indtil displayet blinker 2 gange - dette er proceduren, der åbner / låser kontrolboksens skærm og forebygger utilsigtede fejl.

Ved betjening af kontrolboksen skal du sørge for ikke at trykke for hurtigt på op/ned pilene.

Sørg for at trykke på boksens indstillings markeringer roligt og forsigtigt så kontrolboksen når at registrere dine indstillinger.

Hvis kontrolboksen skulle "gå i sort" og ikke reagerer på dine tryk, kan du nulstille boksen ved at trække strømkablet ud af stikket, vente lidt og derefter igen isætte stikket i.



Dele til Superflow Techno Pro S

	Art.no.	Model	Art.no.	
Pumpemotor 	31380 31381 31382 31383	10000S 15000S 22000S 30000S	31385 31386 31387 31388	Rotor 
Rotorlåg 	31339 31340 31340 31341	10000S 15000S 22000S 30000S	30934 30935 30935 30936	Håndtag 
Filterkammer 	30932 30933 30933 30931	10000S 15000S 22000S 30000S	30937 30938 30938 30939	Fødder 
O-ring rotor 	30922 31364 31364 31369	10000S 15000S 22000S 30000S		Skruer til rotorlåg 
Universal slange- studs 10/22000S 	30952 30953 30953	10000S 15000S 22000S 30000S	30954	Fitting set 30000S 
Kontrolbox 2020 	30960 30961 30962 30963	10000S 15000S 22000S 30000S		

English

Svensk

Dansk

Handwriting practice area with 20 horizontal dotted lines.

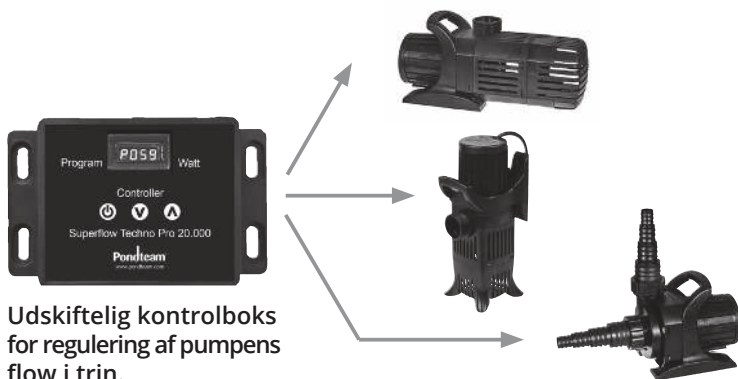
Pondteam®

www.pondteam.com

Superflow Techno Pro S

10000S - 15000S - 22000S - 30000S

Brugsanvisning



Udskiftelig kontrolboks
for regulering af pumpens
flow i trin.



Affaldshåndtering

En defekt pumpe må ikke lægges i den normale dagrenovation, men skal indleveres på en af hjemkommunens genbrugspladser for el-materiel, f.eks. en miljøstation.

Pondteam® er et registreret varemærke. Andre varemærker anvendt i denne manual, på vor hjemmeside eller i vore kataloger tilhører de respektive ejere.
Vi forbeholder os retten til at ændre produkter, specifikationer, App's og anbefalinger uden varsel.

Pondteam AB

Kantyxegatan 25 L - 21376 Malmö - Sweden • www.pondteam.com

Mail info@pondteam.com

Forbehold for trykfejl - Copyright Pondteam AB - 10/3/2025